

NBC-M12FSBPS-R4AC-93E/0,5-OR - Network cable



1408357

<https://www.phoenixcontact.com/us/products/1408357>

Please be informed that the data shown in this PDF document is generated from our online catalog. Please find the complete data in the user documentation. Our general terms of use for downloads are valid.



Assembled Ethernet cable, CAT5e, shielded, 2-pair, 26 AWG stranded (7-wire), RAL 5021 (water blue), M12 flush-type socket, rear/screw mounting with SPEEDCON to RJ45 plug/IP20, line, length 0.5 m

Your advantages

- Perfect for industrial applications
- Perfect for office, building, and protected industrial applications (e.g., in control cabinets)
- Compact angle

Commercial data

Item number	1408357
Packing unit	1 pc
Minimum order quantity	1 pc
Sales key	AB18
Product key	ABNPAB
GTIN	4046356804196
Weight per piece (including packing)	57.3 g
Weight per piece (excluding packing)	56.6 g
Customs tariff number	85444290
Country of origin	PL

1408357

<https://www.phoenixcontact.com/us/products/1408357>

Technical data

Product properties

Product type	Circular connectors (device side)
Sensor type	Ethernet
Number of positions	4
No. of cable outlets	1
Shielded	yes
Cable outlet	straight

Insulation characteristics

Degree of pollution	3
---------------------	---

Material specifications

Flammability rating according to UL 94	V2
Outer sheath, material	PUR
Conductor material	Bare Cu litz wires

Electrical properties

Rated voltage (III/3)	72 V (DC)
Transmission medium	Copper
Transmission characteristics (category)	CAT5 (IEC 11801:2002)

Mechanical properties

Mechanical data

Insertion/withdrawal cycles	≥ 100
-----------------------------	-------

Connector

Connection 1

Type	Flush-type female connector straight M12
Locking type	SPEEDCON
Degree of protection	IP20

Connection 2

Type	Plug straight RJ45
Degree of protection	IP20

Cable/line

Cable length	0.50 m
--------------	--------

Ethernet [93E]

Shielded	yes
Cable weight	42 kg/km
Cable type	Ethernet

NBC-M12FSBPS-R4AC-93E/0,5-OR - Network cable



1408357

<https://www.phoenixcontact.com/us/products/1408357>

Cable type (abbreviation)	93E
Signal type/category	Ethernet CAT5 (IEC 11801:2002)
Cable structure	2x2xAWG26/7 PIMF
External cable diameter	6.7 mm
Outer sheath, material	PUR
External sheath, color	water blue RAL 5021
Conductor material	Bare Cu litz wires
Conductor structure signal line	7x 0.15 mm
AWG signal line	26
Conductor cross section	2x 2x 0.14 mm ²
Material wire insulation	Cell PE
Wire diameter incl. insulation	≤ 1.05 mm
Single wire, color	white/orange-orange, white/green-green
Twisted pairs	2 cores to the pair
Type of pair shielding	Aluminum-lined polyester foil
Overall twist	Two pairs with two fillers to the core
Shielding	Tinned copper braided shield
Nominal voltage, cable	max. 125 V
Test voltage, cable	1000 V
Cable resistance	≤ 150 Ω/km
Cable insulation resistance	≥ 5 GΩ*km
Coupling resistance	5.00 mΩ/m (at 10 MHz)
Wave impedance	100 Ω ±5 % (at 100 MHz)
Working capacitance	42 pF
Signal speed	0.72 c
Tensile strength	30 N (for installation) 10 N (in accordance with installation)
Smallest bending radius, movable installation	34 mm
Shield attenuation	60 dB (up to 1000 MHz)
Halogen-free	complying with IEC 60754-1/2
Resistance to oil	in accordance with DIN EN 60811-2-1
Concentration of fumes	in accordance with IEC 61034-1/2
Flame resistance	complying with IEC 60332-2-2
Other resistance	Microbe resistance as per VDE 0282 section 10 Hydrolysis resistance as per DIN 53504
Special properties	Free of substances which would hinder coating with paint or varnish
Ambient temperature (operation)	-10 °C ... 50 °C (Cable, flexible installation) -40 °C ... 70 °C (cable, fixed installation)

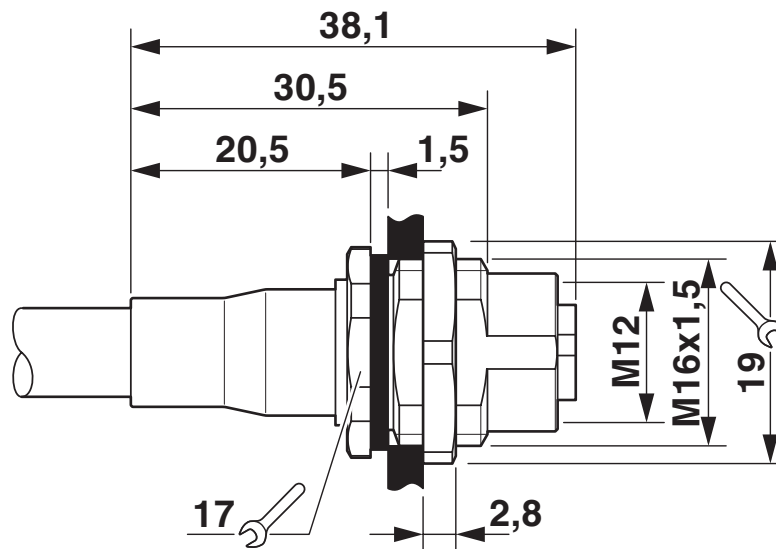
Environmental and real-life conditions

Ambient conditions

Ambient temperature (operation)	-25 °C ... 60 °C (cable, fixed installation)
	-5 °C ... 60 °C (Cable, flexible installation)

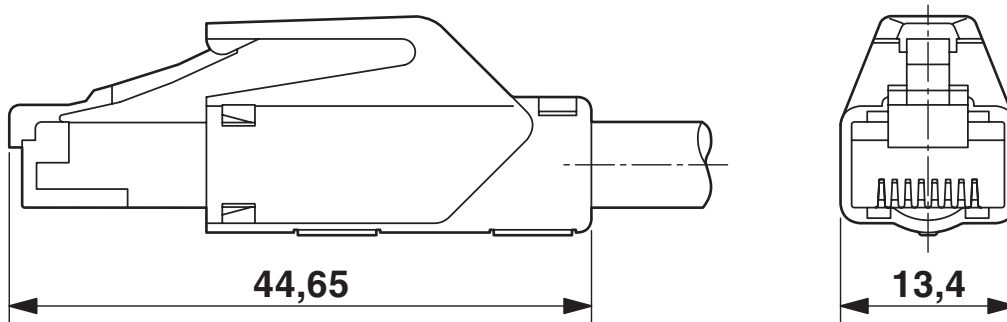
Drawings

Dimensional drawing



M12 flush-type connector

Dimensional drawing



NBC-M12FSBPS-R4AC-93E/0,5-OR - Network cable



1408357

<https://www.phoenixcontact.com/us/products/1408357>

Approvals

To download certificates, visit the product detail page: <https://www.phoenixcontact.com/us/products/1408357>



EAC

Approval ID: 19060508

1408357

<https://www.phoenixcontact.com/us/products/1408357>

Classifications

ECLASS

ECLASS-11.0	27060308
ECLASS-12.0	27060308
ECLASS-13.0	27060307

ETIM

ETIM 8.0	EC002599
----------	----------

UNSPSC

UNSPSC 21.0	26121600
-------------	----------

NBC-M12FSBPS-R4AC-93E/0,5-OR - Network cable



1408357

<https://www.phoenixcontact.com/us/products/1408357>

Environmental product compliance

REACH SVHC	Lead 7439-92-1
China RoHS	Environmentally Friendly Use Period = 50 years
	For information on hazardous substances, refer to the manufacturer's declaration available under "Downloads"

Phoenix Contact 2024 © - all rights reserved

<https://www.phoenixcontact.com>

Phoenix Contact USA
586 Fulling Mill Road
Middletown, PA 17057, United States
(+717) 944-1300
info@phoenixcon.com